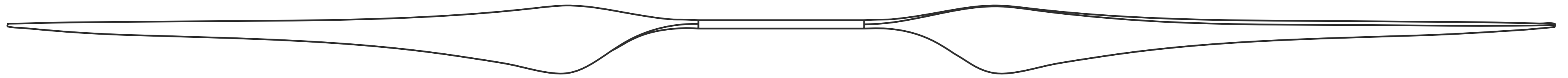
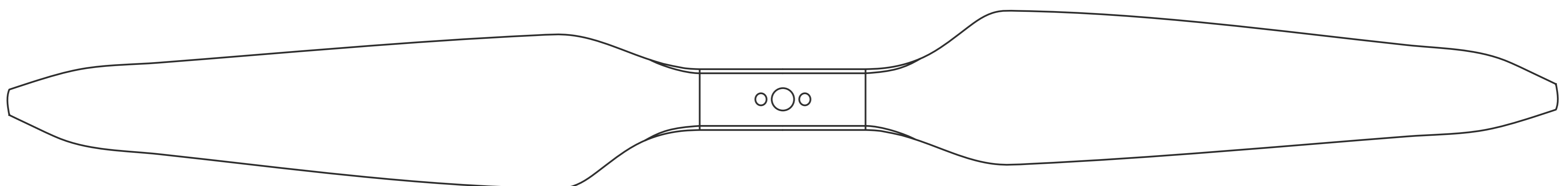


# Pricing Catalogue - SRZ



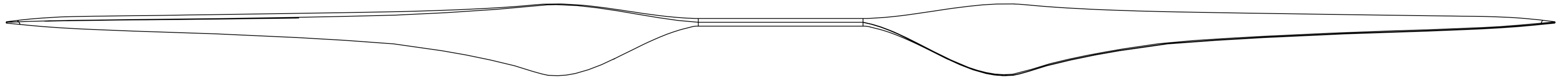
Model	Diameter (inches)	Pitch (inches)	Max Thrust	Operational Thrust	Weight (grams)	Price (\$/pair)
<b>SRZ 16×5.4</b>	16	5.4	4.2 kg @ 8000 RPM	1.6 kg @ 4800 RPM	27	\$87.99
<b>SRZ 18×6.1</b>	18	6.1	5.5 kg @ 7000 RPM	1.8 kg @ 4200 RPM	29	\$137.99
<b>SRZ 20×6</b>	20	6	6.7 kg @ 6500 RPM	2.6 kg @ 3900 RPM	40	\$177.99
<b>SRZ 22×6.6</b>	22	6.6	7.3 kg @ 5800 RPM	2.6 kg @ 3400 RPM	47	\$207.99
<b>SRZ 24×7.2</b>	24	7.2	8.8 kg @ 5200 RPM	3.5 kg @ 3300 RPM	64	\$237.99
<b>SRZ 26×8.5</b>	26	8.5	11 kg @ 5000 RPM	4.2 kg @ 3000 RPM	80	\$297.99
<b>SRZ 28×8.4</b>	28	8.4	12.2 kg @ 5000 RPM	5.1 kg @ 3000 RPM	105	\$327.99
<b>SRZ 30×9</b>	30	9	14.3 kg @ 4200 RPM	5 kg @ 2400 RPM	125	\$437.99



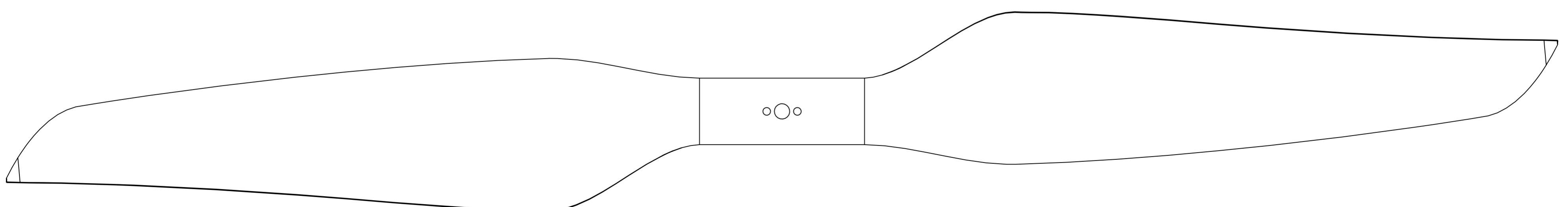
- Hole thread sizes can be changed upon request
- Additional sizes available, from 42" to 80" for pricing please reach out on [contact@sraeros.com](mailto:contact@sraeros.com)

- Price excludes tax & shipping
- Discounts available on bulk quantities
- Payment terms: 50% advance, 50% before dispatch

# Pricing Catalogue - SRY



Model	Diameter (inches)	Pitch (inches)	Price (\$/pair)
SRY 24×7.8	24	7.8	\$242.99
SRY 26×8.5	26	8.5	\$304.99
SRY 28×9.2	28	9.2	\$337.99
SRY 30×10.5	30	10.5	\$450.99
SRY 32×12	32	12	\$513.99
SRY 34×12	34	12	\$599.99
SRY 34×14	34	14	\$612.99
SRY 36×12	36	12	\$699.99
SRY 36×16	36	16	\$715.99
SRY 38×10	38	10	\$799.99
SRY 38×12	38	12	\$811.99
SRY 40×10	40	10	\$999.99
SRY 40×13	40	13	\$1,104.99



- Hole thread sizes can be changed upon request
- Additional sizes available, from 42" to 80" for pricing please reach out on [contact@sraeros.com](mailto:contact@sraeros.com)

- Price excludes tax & shipping
- Discounts available on bulk quantities
- Payment terms: 50% advance, 50% before dispatch